



VEHICLE TYPE

HYUNDAI

TRANSMISSION TYPE

T060S5 (5,810) T/M

Kozmaksan Hyundai Power Take OFFs designed for Hyundai trucks. Kozmaksan Hyundai PTOs has Single output model, Side Mounting type option and available for UNI&ISO mounting housing or suitable for flange connections.

Applications;

- Garbage Truck
- Crane Truck
- Dump Truck

Vehicle Type

HYUNDAI

PNEUMATIC

SIDE MOUNTING

Transmission Type

T060S5 (5,810) T/M

HYD.06.60S5.H

Product Code

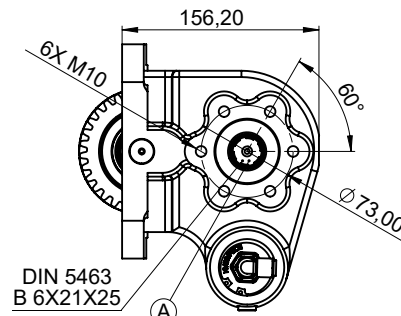
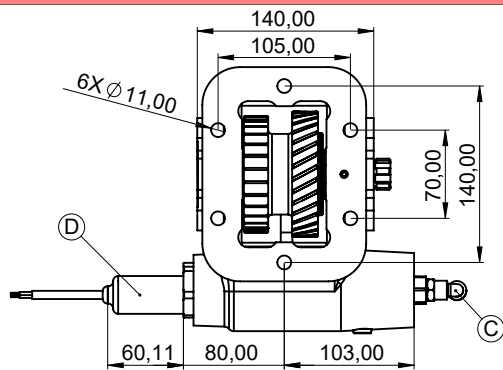
00

09.10.2019

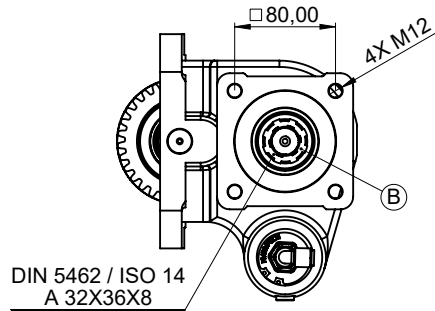
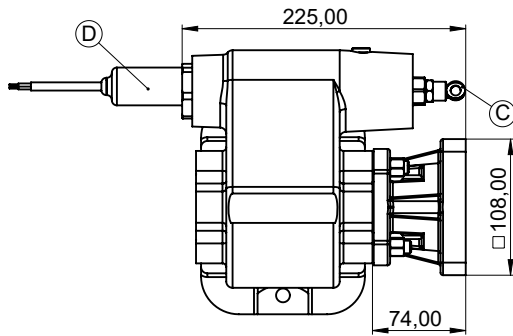
2/5

Rev. Date

UNI OUTPUT

DIN 5463
B 6X21X25

ISO OUTPUT

DIN 5462 / ISO 14
A 32X36X8

- | | |
|---|---|
| A | DIN 5463 6X21X25 - UNI 3 Bolt Output |
| B | ISO 14 - DIN 5462 8X32X36 - ISO 4 Bolt Output |
| C | Air Inlet R 1/4" |
| D | Engage/Disengage Sensor (Opt.) |
| | |
| | |
| | |
| | |

	UNI Output	ISO Output	
Power(kW)@1000 RPM	23	23	
Max. Torque (Nm)	220	220	
Weight (Kg)	12,50	13,70	
Ratio		1/1,08↓	
Mounting Type	Left Side		
Sense of Rotation			

- Kozmaksan has all rights to change information in this catalogue without announcing it. This document is representing general information. It is not a contract.
- All information belongs to only PTO/Split Shaft. Do not use PTO/Split Shaft, if it is not suitable for your engine and main transmission.
- Pumps, shafts and other parts should not be longer or heavier than approved distance and weight by the manufacturer of main transmission and engine.

KozmaksanPTO

kozmaksanpto

kozmaksan-hydraulics-pto

Vehicle Type

HYUNDAI

MECHANIC CONTOL

SIDE MOUNTING

Transmission Type

T060S5 (5,810) T/M

HYD.06.60S5.M

Product Code

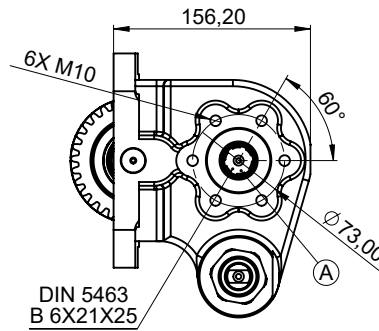
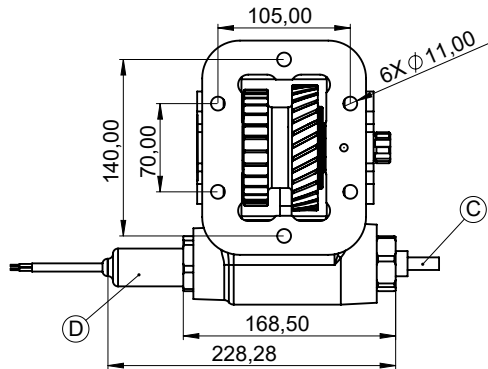
00

09.10.2019

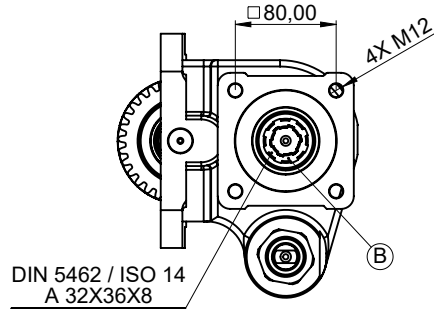
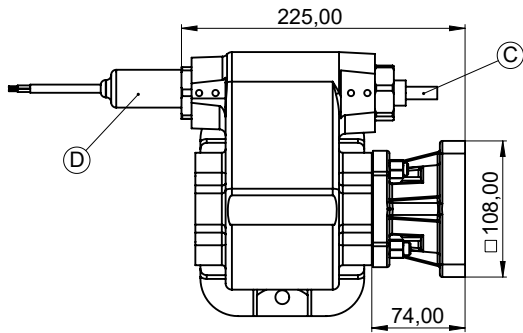
3/5

Rev. Date

UNI OUTPUT



ISO OUTPUT



A	DIN 5463 6X21X25 - UNI 3 Bolt Output
B	ISO 14 - DIN 5462 8X32X36 - ISO 4 Bolt Output
C	Mechanic Control System
D	Engage/Disengage Sensor (Opt.)

	UNI Output	ISO Output	
Power(kW)@1000 RPM	23	23	
Max. Torque (Nm)	220	220	
Weight (Kg)	12,50	13,70	
Ratio	1/1,08↓		
Mounting Type	Left Side		
Sense of Rotation			

- Kozmaksan has all rights to change information in this catalogue without announcing it. This document is representing general information. It is not a contract.
 - All information belongs to only PTO/Split Shaft. Do not use PTO/Split Shaft, if it is not suitable for your engine and main transmission.
 - Pumps, shafts and other parts should not be longer or heavier than approved distance and weight by the manufacturer of main transmission and engine.

KozmaksanPTO

kozmaksanpto

kozmaksan-hydraulics-pt

Vehicle Type

HYUNDAI

VACUUM CONTROL

SIDE MOUNTING

Transmission Type

T060S5 (5,810) T/M

HYD.06.60S5.V

Product Code

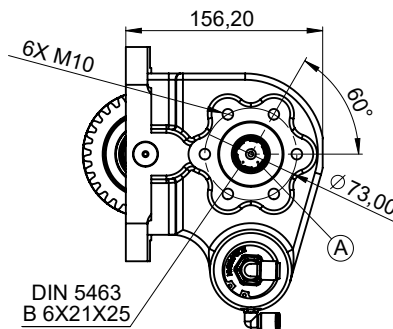
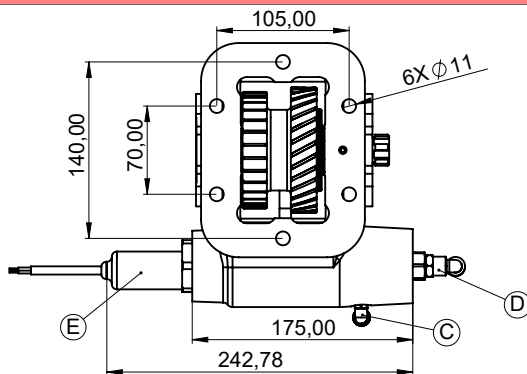
00

09.10.2019

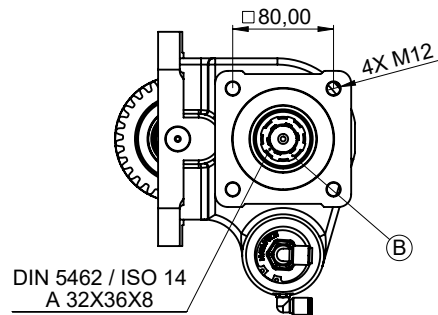
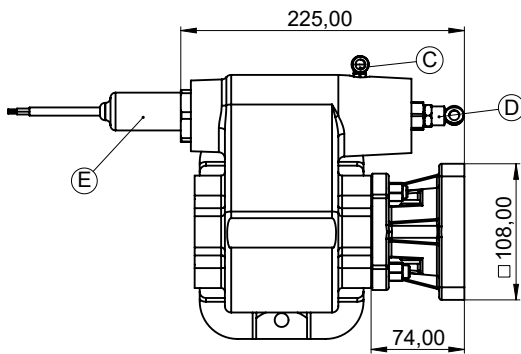
4/5

Rev. Date

UNI OUTPUT



ISO OUTPUT



- | | |
|---|---|
| A | DIN 5463 6X21X25 - UNI 3 Bolt Output |
| B | ISO 14 - DIN 5462 8X32X36 - ISO 4 Bolt Output |
| C | Vacuum Inlet R 1/8" |
| D | Vacuum Inlet R 1/4" (Opt.-Double Actuator) |
| E | Engage/Disengage Sensor (Opt.) |
| | |
| | |
| | |
| | |

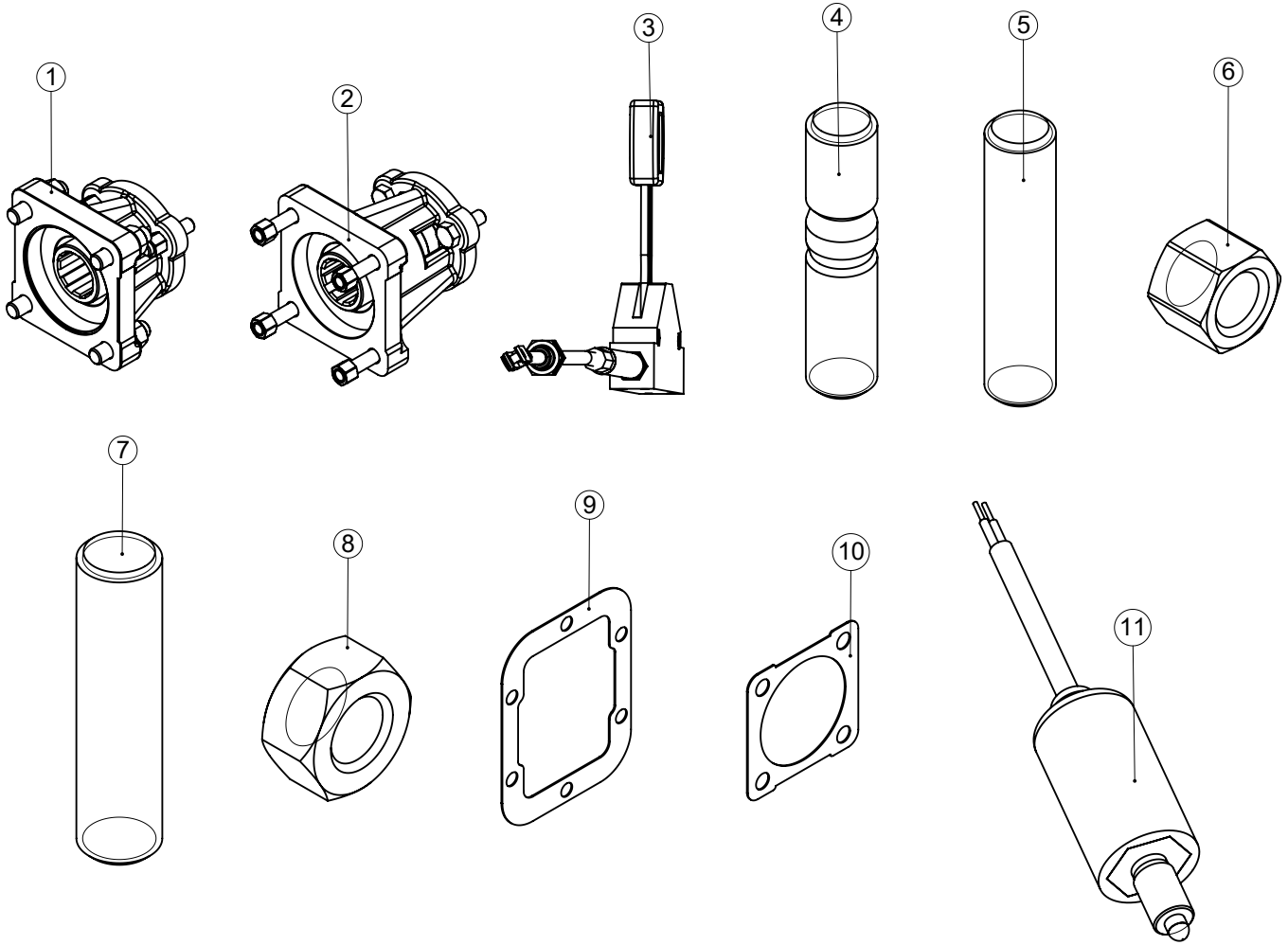
	UNI Output	ISO Output	
Power(kW)@1000 RPM	23	23	
Max. Torque (Nm)	220	220	
Weight (Kg)	12,50	13,70	
Ratio	1/1,08↓		
Mounting Type	Left Side		
Sense of Rotation			

- Kozmaksan has all rights to change information in this catalogue without announcing it. This document is representing general information. It is not a contract.
 - All information belongs to only PTO/Split Shaft. Do not use PTO/Split Shaft, if it is not suitable for your engine and main transmission.
 - Pumps, shafts and other parts should not be longer or heavier than approved distance and weight by the manufacturer of main transmission and engine.

KozmaksanPTO

kozmaksanpto

kozmaksan-hydraulics-pto



No	Code	Description	No	Code	Description
1	AKP.PP.2.52	UNI TO ISO Adapter (Short)	9	T04-019	Gasket (1mm)
2	AKP.PP.1	UNI TO ISO Adapter (Long)	10	T04-002	80X80 Gasket 1mm
3	KTP50-55.3500	3.5 MT Control Cable and Lever	11	T12-029	Engage/Disengage Sensor (Opt.)
4	T07-017	M10X50 Stud	12		
5	T07-004	M10X45 Stud 3 pcs	13		
6	T08-001	M10X1,5 Stud 6+3 pcs	14		
7	T07-003	M12X50 Stud 4 pcs	15		
8	T08-006	M12 Nut 4 Pcs	16		